

Technical Data

2500 Series

2506A-E15TAG3

2506A-E15TAG4

Diesel Engine - ElectropaK

Basic technical data

Number of cylinders	6
Cylinder arrangement	Vertical, In-line
Cycle	4 stroke
Induction system	turbocharged, air to air charge cooling
Combustion system	direct injection
Compression ratio	16:1
Bore	137 mm
Stroke	171 mm
Cubic capacity	15,2 litres
Direction of rotation	anti-clockwise viewed on flywheel
Firing order (cylinder 1 furthest from flywheel)	1, 5, 3, 6, 2, 4

Total weight of ElectropaK

-dry (engine only)	1633 kg
-wet	1714 kg

Overall dimensions

-height	1718 mm
-length	2657 mm
-width	1120 mm

Moments of inertia (mk²)

Engine	
-1500 rev/min	2.3291 kgm ²
-1800 rev/min	2.3291 kgm ²
Flywheel	
-1500 rev/min	1.96355 kgm ²
-1800 rev/min	1.96355 kgm ²

Performance

Note: All data based on operation to ISO 3046/1, BS5514 and DIN 6271 standard reference conditions.

Cyclic irregularity

Engine / Flywheel maximum:	
-1500 rev/min.	1:44
-1800 rev/min.	1:60

Ratings

Steady state stability at constant speed ... ± 0,25 %
 Electrical ratings are based on average alternator efficiency and are for guidance only (0.8 power factor being used)

Operating point

Engine speed	1500 & 1800 rev/min
Cooling water maximum exit temperature	< 107 °C

Fuel data

To conform to ... BS2869 class A2 or BS EN590

Test conditions

-air temperature	25 °C
-barometric pressure	100 kPa
-relative humidity	30%
-air inlet restriction at maximum power (nominal)	2,5 kPa
-exhaust back pressure at maximum power (nominal)	6,8 kPa
-maximum fuel temperature (inlet pump)	40 °C

Note: If the engine is to operate in ambient conditions other than those of the test conditions, suitable adjustments must be made for these changes. For full details, contact Perkins Technical Service Department. For test conditions relevant to data on load acceptance, refer to the bottom of page 14.

Sound level

Estimated sound pressure level at 1 metre:	
-1500 rev/min.	103 dB(A)
-1800 rev/min.	105 dB(A)

General installation

2506A-E15TAG3

Designation	Units	Type of operation and application			
		Prime	Standby	Prime	Standby
		50 Hz @ 1500 rev/min		60 Hz @ 1800 rev/min	
Gross engine power	kWb	407	451	469	514
Fan power	kWm	8,8		15,5	
Restriction losses	kWm	7,2	7,8	7,8	8,9
ElectropaK nett engine power	kWm	391	435	446	490
Gross brake mean effective pressure	kPa	2211	2447	2143	2339
Combustion air flow	m³/min	24,5	27,0	34,3	38,0
Exhaust gas temperature (max)	°C	N/A	590	N/A	590
Exhaust gas flow	m³/min	71,0	80,0	96,0	105,3
Boost pressure ratio	-	2,45	2,69	2,73	2,99
Overall thermal efficiency (nett)	%	44	44	46	43
Friction and pumping power losses	kWm	45		51	
Mean piston speed	m/s	8		10	
Engine coolant flow	l/sec	6,1		7,2	
Cooling fan air flow (zero duct allowance)	m³/min	722		866	
Typical Gen Set electrical output (0.8 pf)	kWe	360	400	410	450
	kVA	450	500	513	563
Assumed alternator efficiency	%	92		92	

2506A-E15TAG4

Designation	Units	Type of operation and application			
		Prime	Standby	Prime	Standby
		50 Hz @ 1500 rev/min		60 Hz @ 1800 rev/min	
Gross engine power	kWb	407	451	519	568
Fan power	kWm	8,8		15,5	
Restriction losses	kWm	7,2	7,8	8,9	9,5
ElectropaK nett engine power	kWm	391	435	495	543
Gross brake mean effective pressure	kPa	2211	2447	2307	2524
Combustion air flow	m³/min	24,5	27,0	39	42
Exhaust gas temperature (max)	°C	N/A	590	N/A	590
Exhaust gas flow	m³/min	71,0	80,0	102	112
Boost pressure ratio	-	2,45	2,69	3,3	3,5
Overall thermal efficiency (nett)	%	44	44	41,0	41,2
Friction and pumping power losses	kWm	45		57	
Mean piston speed	m/s	8		10	
Engine coolant flow	l/sec	6,1		7,2	
Cooling fan air flow (zero duct allowance)	m³/min	722		866	
Typical Gen Set electrical output (0.8 pf)	kWe	360	400	455	500
	kVa	450	500	569	624
Assumed alternator efficiency	%	92		92	

Rating definitions

Prime power

Variable load. Unlimited hours usage with an average load factor of 80% of the published Prime Power rating over each 24 hour period. A 10% overload is available for 1 hour in every 12 hours operation

Standby power

Variable load. Limited to 500 hours annual usage up to 300 hours of which may be continuous running. No overload is permitted

Emissions capability

All 2506A ratings are optimised for 'best fuel consumption' and do not comply to Harmonised International Regulated Emission Limits. More information on these statements can be obtained by contacting the applications department at Perkins Engines Company Limited.

Energy balance

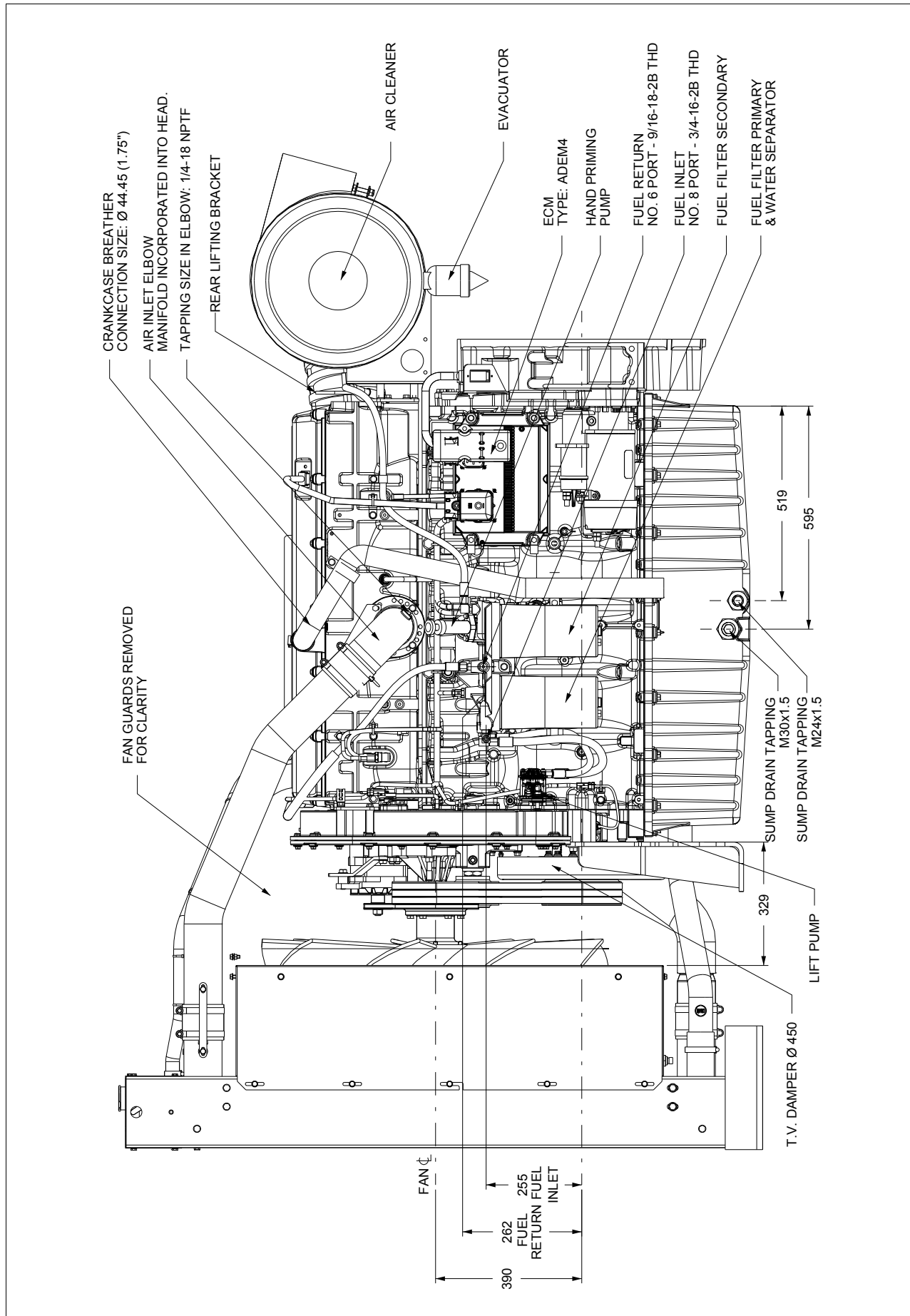
2506A-E15TAG3

Designation	Units	Type of operation and application			
		Prime	Standby	Prime	Standby
		50 Hz @ 1500 rev/min		60 Hz @ 1800 rev/min	
Energy in fuel	kWt	940	1030	1075	1200
Energy in power output (gross)	kWb	407	451	469	514
Energy to cooling fan and restrictions	kWm	16,0	17,0	23,3	24,4
Energy in power output (nett)	kWm	391	435	446	490
Energy to exhaust	kWt	296	323	324	375
Energy to coolant and oil	kWt	151	157	161	173
Energy to radiation	kWt	29,2	31,2	33,5	37,5
Energy to charge cooler	kWt	48	59	72	85

2506A-E15TAG4

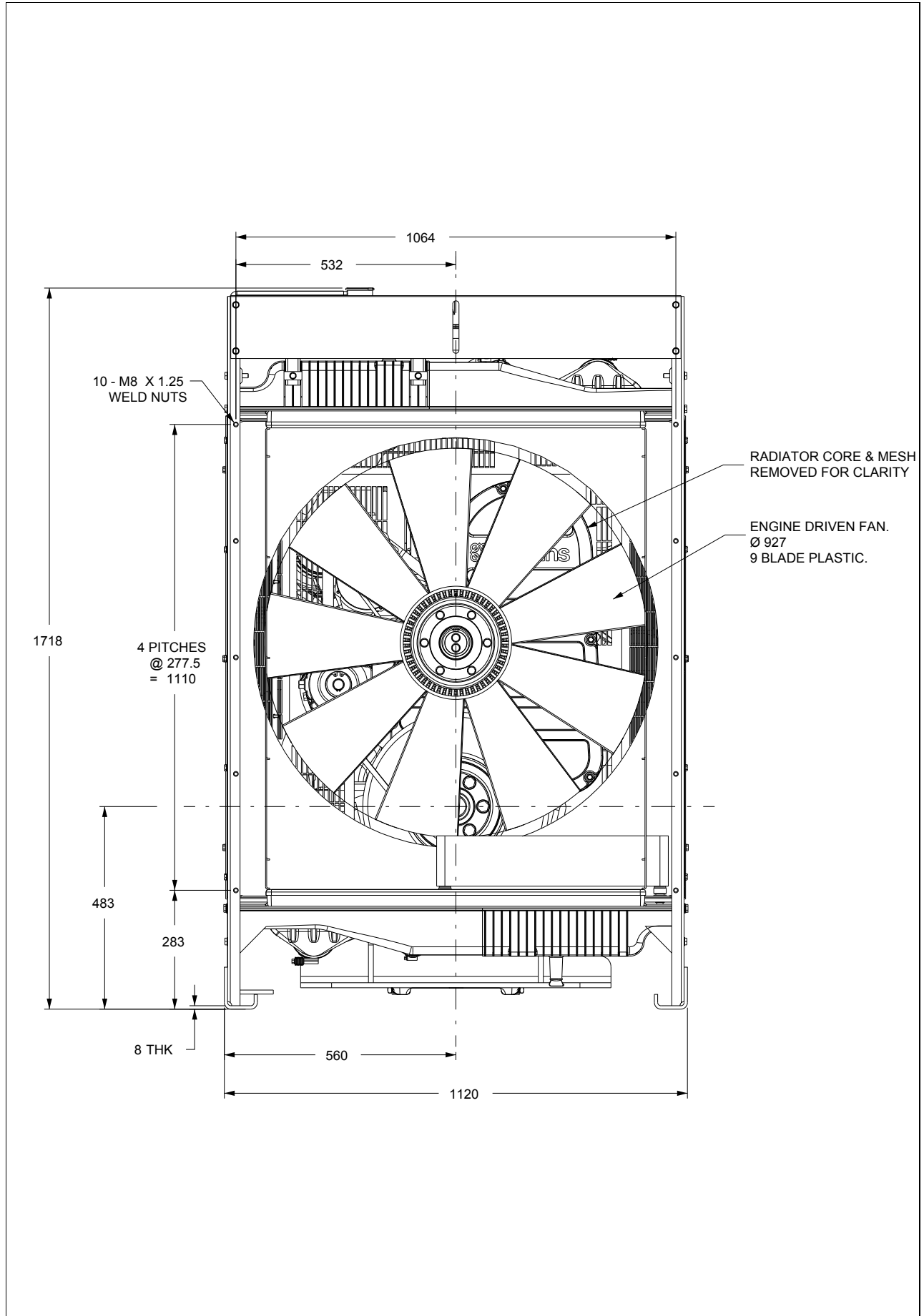
Designation	Units	Type of operation and application			
		Prime	Standby	Prime	Standby
		50 Hz @ 1500 rev/min		60 Hz @ 1800 rev/min	
Energy in fuel	kWt	940	1030	1175	1330
Energy in power output (gross)	kWb	407	451	519	568
Energy to cooling fan and restrictions	kWm	16,0	17,0	24,4	25,0
Energy in power output (nett)	kWm	391	435	495	543
Energy to exhaust	kWt	296	323	355	410
Energy to coolant and oil	kWt	151	157	158	185
Energy to radiation	kWt	29,2	31,2	32,5	41,5
Energy to charge cooler	kWt	48	59	95	110

2506A-E15TAG3 and 2506A-E15TAG4 - left side view



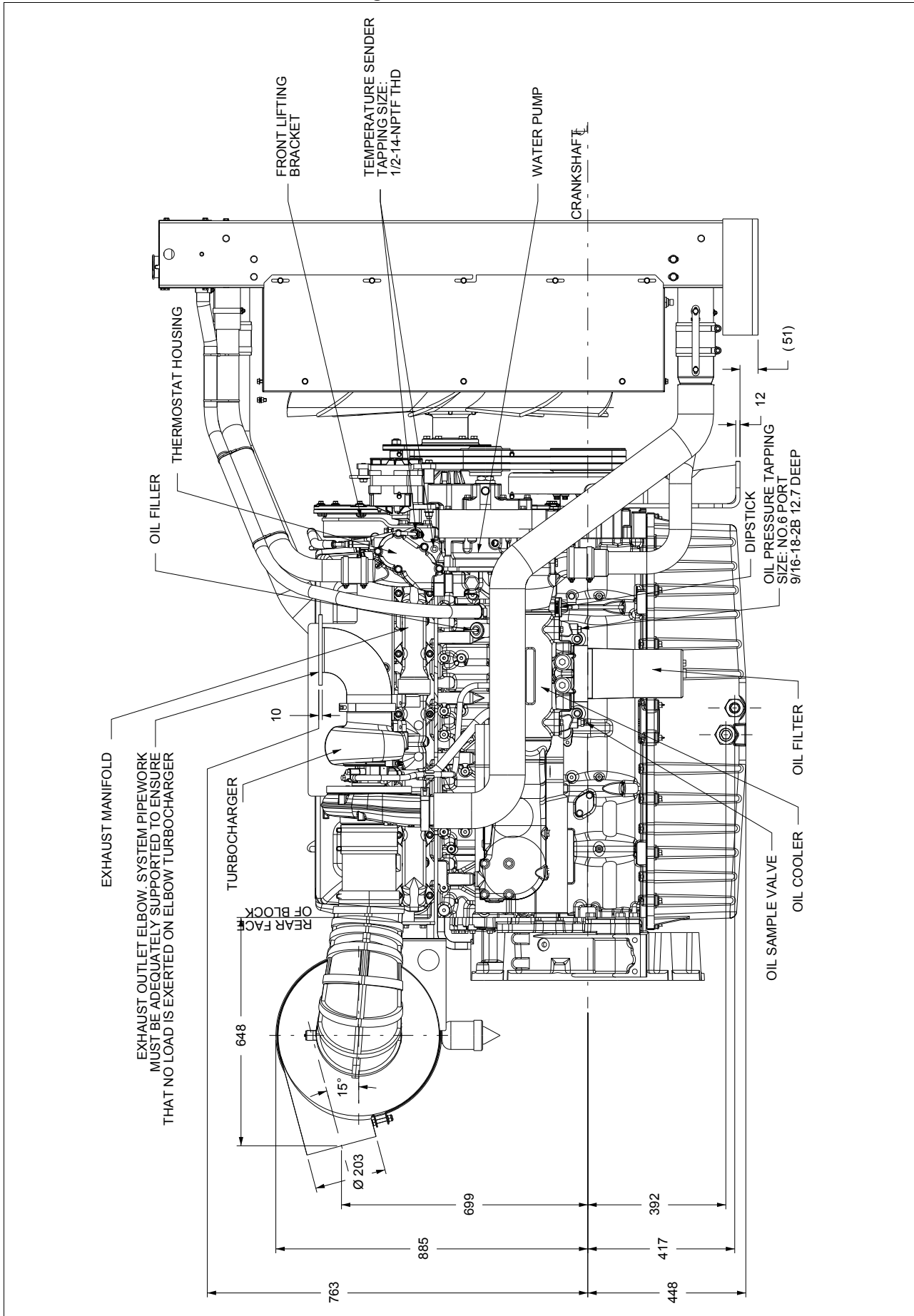
Note: This drawing is for reference only. For installation purposes, please refer to the relevant General Installation drawing (Z13579).

2506A-E15TAG3 and 2506A-E15TAG4 - front view



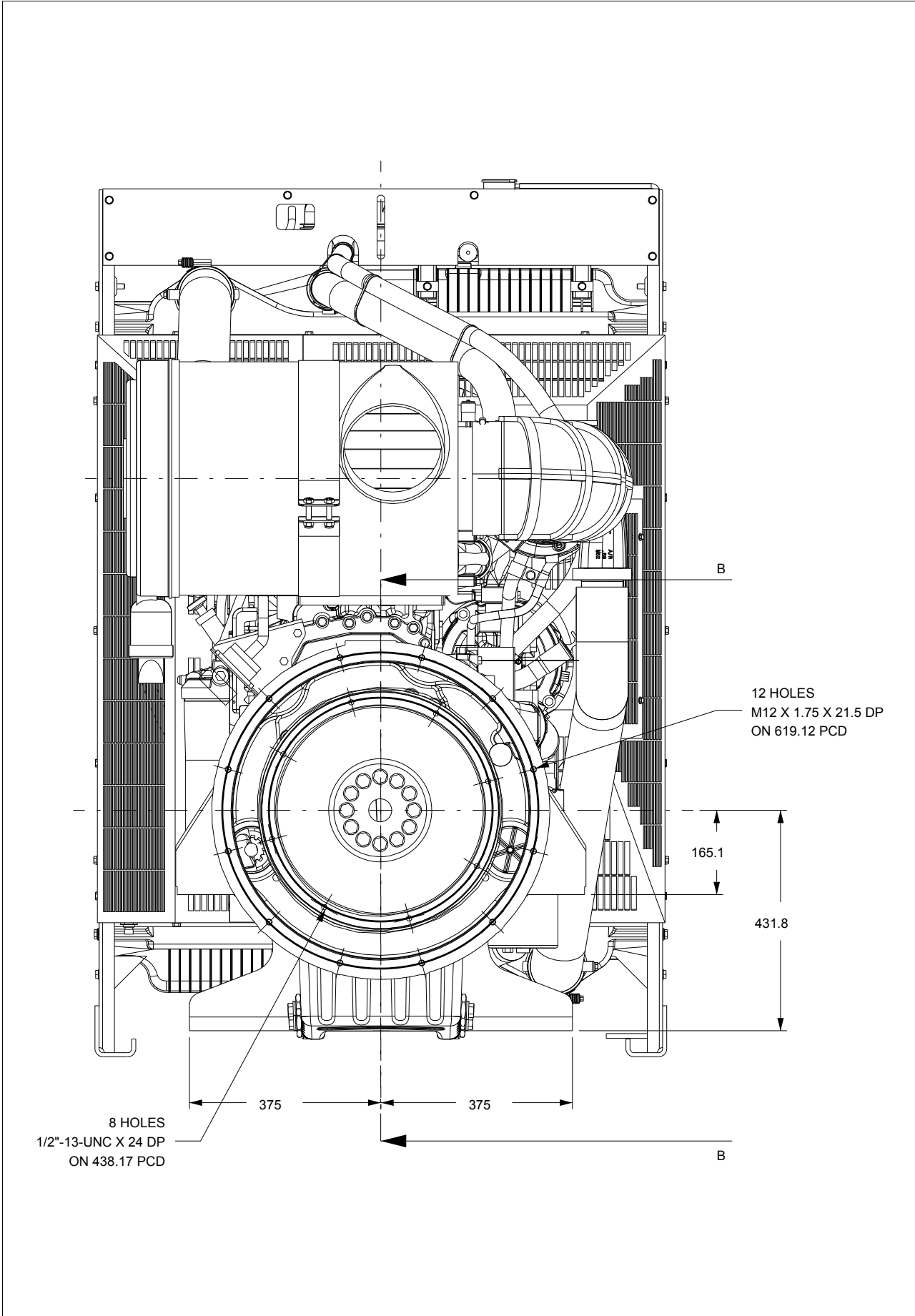
Note: This drawing is for reference only. For installation purposes, please refer to the relevant General Installation drawing (Z13579).

2506A-E15TAG3 and 2506A-E15TAG4 - right side view



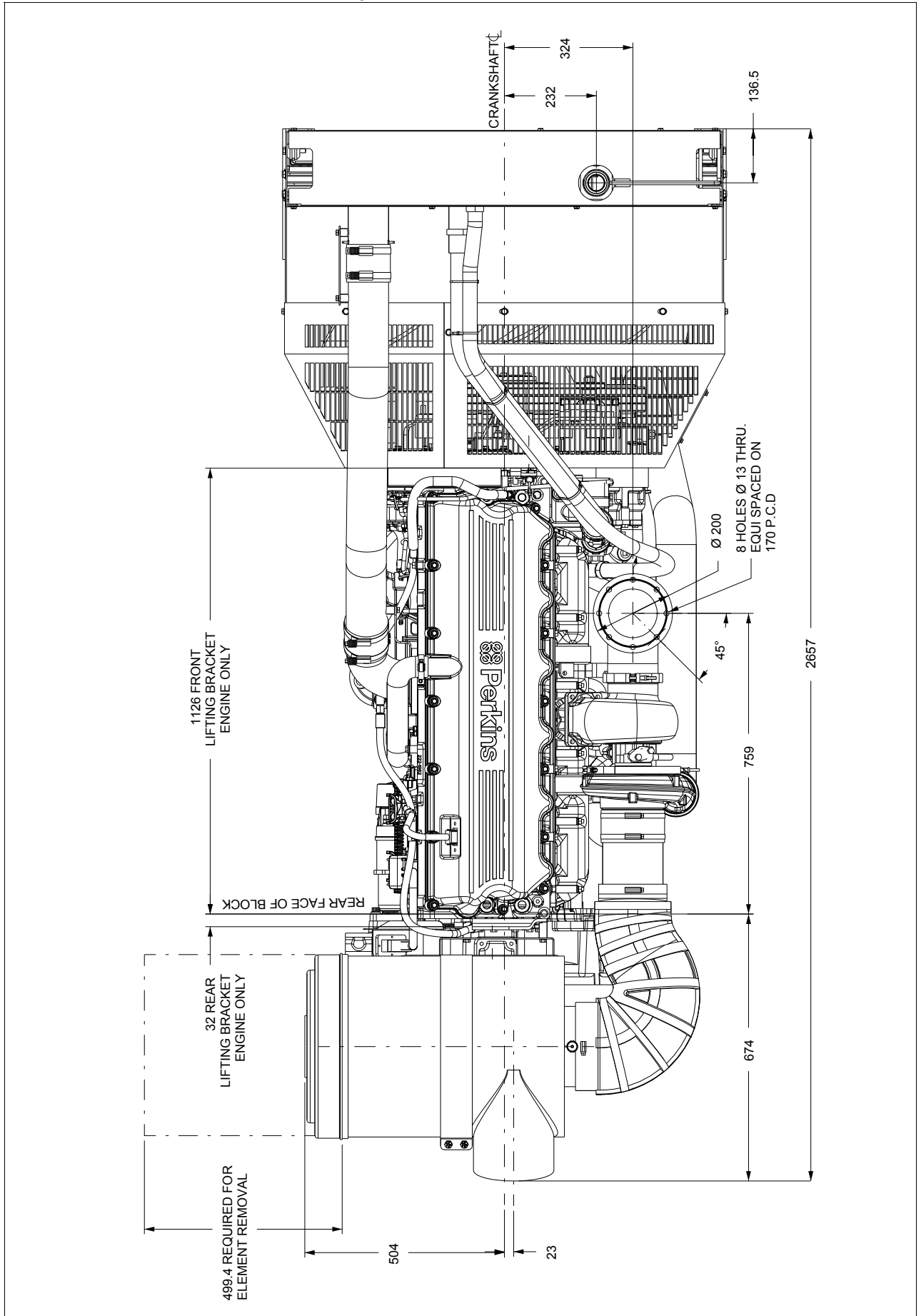
Note: This drawing is for reference only. For installation purposes, please refer to the relevant General Installation drawing (Z13579).

2506A-E15TAG3 and 2506A-E15TAG4 - rear view



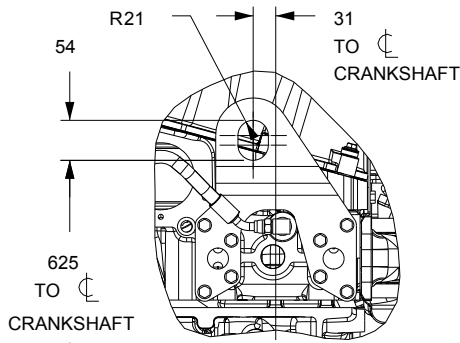
Note: This drawing is for reference only. For installation purposes, please refer to the relevant General Installation drawing (Z13579).

2506A-E15TAG3 and 2506A-E15TAG4 - plan view

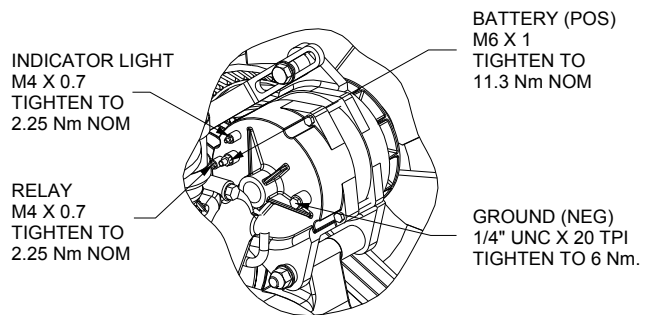


Note: This drawing is for reference only. For installation purposes, please refer to the relevant General Installation drawing (Z13579).

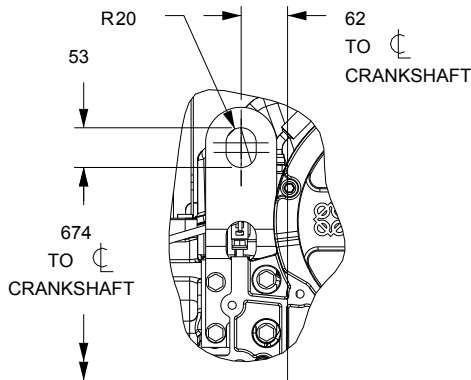
2506A-E15TAG3 and 2506A-E15TAG4 - miscellaneous views



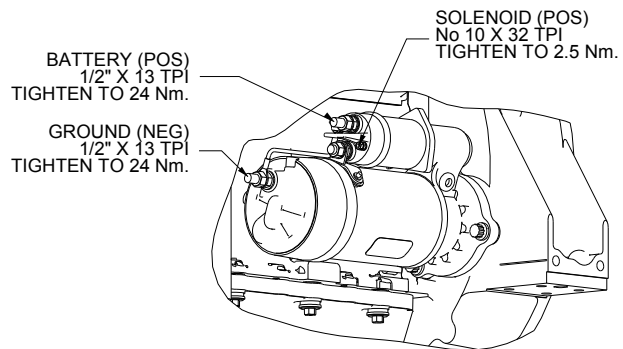
**SCRAP VIEW SHOWING
DETAILS OF REAR LIFTING
EYE**



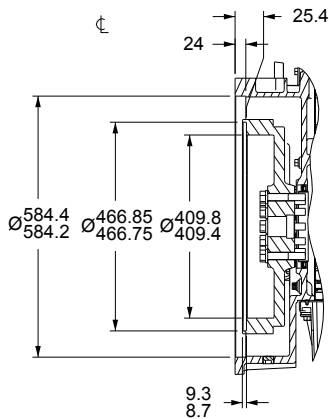
**SCRAP VIEW SHOWING ALTERNATOR CONNECTIONS.
FAN GUARDS & THERMOSTAT REMOVED FOR CLARITY.
SCALE 1:3**



**SCRAP VIEW SHOWING
DETAILS OF FRONT LIFTING
EYE**



**SCRAP VIEW SHOWING
STARTER MOTOR CONNECTIONS
SCALE 1:3**



**SECTION B-B
DETAILS OF SAE 1 / 2 FLYWHEEL HOUSING
AND SAE J620 SIZE 14 FLYWHEEL**

Note: This drawing is for reference only. For installation purposes, please refer to the relevant General Installation drawing (Z13579).

Cooling system

Recommended coolant:

50% inhibited ethylene glycol or 50% inhibited propylene glycol and 50% clean fresh water. Where there is no likelihood of ambient temperatures below 10 °C, clean 'soft' water may be used, treated with 1% by volume of Perkins inhibitor in the cooling system. The inhibitor is available from all Perkins Distributors.

Total system coolant capacity ... 58,0 litres

Maximum pressure:

-in crankcase water jacket ... 276 kPa

Maximum top tank temperature ... 107 °C

Maximum static pressure on pump ... 170 kPa

Maximum permissible restriction:

-to coolant pump flow ... 30 kPa

Temperature rise across engine with inhibited coolant:

-standby power @ 1500 and 1800 rev/min ... 10 °C

-prime power @ 1500 and 1800 rev/min ... 9 °C

Thermostat operation range ... 88 to 98 °C

Radiator

-face area ... 1.238 m²

-weight (dry) ... 132 kg

-rows and materials ... 2 rows, Aluminium

-matrix density and material ... 12 fins per inch, Aluminium

-width of matrix ... 1048 mm

-height of matrix ... 1100 mm

-pressure cap setting (minimum) ... 69 kPa

Charge cooler with integral radiator

-face area ... 1.006 m²

-number of rows and material ... 1 row, Aluminium

-matrix density and material ... 12,5 fins per inch, Aluminium

-width of matrix ... 915 mm

-height of matrix ... 1100 mm

Coolant pump

Speed:

-1500 rev/min ... 1622 rev/min

-1800 rev/min ... 1946 rev/min

Method of drive ... gear

Fan

-diameter ... 927 mm

-drive ratio ... 0.92:1

-number of blades ... 9

-material ... B3WG6 or PA6GF30 Nylon 6 glass filled 30%

-type ... ACS 367500

Cooling clearance

Ambient cooling clearance (standby power) based on air temperature at fan of 6 °C above the ambient

2506A-E15TAG3 maximum additional restriction (duct allowance) to cooling airflow and resultant minimum airflow			
Duct allowance with inhibited coolant at 50 °C			
Description	rev/min	Units	Standby
Duct allowance	1500	kPa	0.125
	1800	kPa	0.125
Minimum airflow	1500	m ³ /min	660
	1800	m ³ /min	822
Duct allowance with 50% glycol at 43 °C			
Duct allowance	1500	kPa	0.200
	1800	kPa	0.200
Minimum airflow	1500	m ³ /min	576
	1800	m ³ /min	792

2506A-E15TAG4 maximum additional restriction (duct allowance) to cooling airflow and resultant minimum airflow			
Duct allowance with inhibited coolant at 50 °C			
Description	rev/min	Units	Standby
Duct allowance	1500	kPa	0.125
	1800	kPa	0.125
Minimum airflow	1500	m ³ /min	660
	1800	m ³ /min	822
Duct allowance with 50% glycol at 43 °C			
Duct allowance	1500	kPa	0.200
	1800	kPa	0.200
Minimum airflow	1500	m ³ /min	576
	1800	m ³ /min	792

Electrical system

Type ... 12V negative earth

Alternator

-type ... 22SI

-voltage ... 24 volts

-output ... 70 amps

Starter

-type ... 42MT

-motor voltage ... 24 volts

-motor power ... 7,5 kW

Number of teeth

-on the flywheel ... 113

-on starter pinion ... 11

Minimum cranking speed ... 100 rev/min

Pull-in current of starter motor solenoid

@ -25 °C max ⁽¹⁾ ... 57 amps

Hold-in current of starter motor solenoid

@ -25 °C max ⁽¹⁾ ... 16 amps

1. All leads to rated at 10 amps minimum

Cold start recommendations

Temperature Range	
5 to -10 °C (41 to 14 °F)	Oil: 15W40 Starter: 42MT Battery: 2x 12V 128 Ah Max breakaway current: 1250 amps Cranking current: 676 amps Aids: None Minimum mean cranking speed: 120 rev/min

Temperature Range	
-11 to -25 °C (12.2 to -13 °F)	Oil: 0W40 Starter: 42MT Battery: 2x 12V 128 Ah Max breakaway current: 1250 amps Cranking current: 880 amps Aids: block heater 1.5 kW Minimum mean cranking speed: 120 rev/min

- Battery capacity is defined by the 20 hour rate
- The oil specification should be for the minimum ambient temperature as the oil will not be warmed by the immersion heater
- Breakaway current is dependent on battery capacity available. Cables should be capable of handling the transient current which may be up to double the steady cranking current.

Exhaust system

Maximum back pressure 6,8 kPa
Exhaust outlet size (internal).. 127 mm

Recommended exhaust pipe diameter

length	1500 rev/min	1800 rev/min
	mm	mm
up to 10m	125	150
10m to 20m	150	150
20m to 30m	150	200

Fuel system

Type of injection MEUI
Injector type MEUI
Injector pressure..... 200 MPa

Fuel lift pump

type..... gear driven
Delivery flow:
-1500 rev/min 413 litres/hr
-1800 rev/min 457 litres/hr
Pressure.....550 kPa
Maximum suction head at pump inlet..... 3 m
Maximum static pressure head 4 m
Fuel inlet temperature to be less than55 °C
Governor type..... electronic
Governing to ISO 8528-5 class G3 steady state

Fuel filtration level

-primary..... 10 µm
-secondary..... 2 µm

Fuel consumption

2506A-E15TAG3

Designation	Fuel consumption calculated on nett rated powers			
	g/kWh		litres/hr	
	1500 rev/min	1800 rev/min	1500 rev/min	1800 rev/min
Standby	198	200	100	114
Prime + 10%	198	200	100	114
Prime	199	196	90	101
At 75% of Prime	202	205	69	80
At 50% of Prime	213	220	48	57

2506A-E15TAG4

Designation	Fuel consumption calculated on nett rated powers			
	g/kWh		litres/hr	
	1500 rev/min	1800 rev/min	1500 rev/min	1800 rev/min
Standby	198	198	100	125
Prime Power + 10%	198	198	100	125
Prime Power	199	200	90	115
At 75% of Prime Power	202	205	69	88
At 50% of Prime Power	213	217	48	62

Induction system

Maximum air intake restriction

-clean filter	3,7 kPa
-dirty filter	6,2 kPa
-air filter type	paper element 457 mm

Lubrication system

The recommended SAE viscosity is a multigrade oil (15W40) which adequately meets the specifications of API C14

Total system capacity	62,0 litres
Maximum sump capacity.....	53,0 litres
Minimum sump capacity	45,0 litres

Lubricating oil pressure

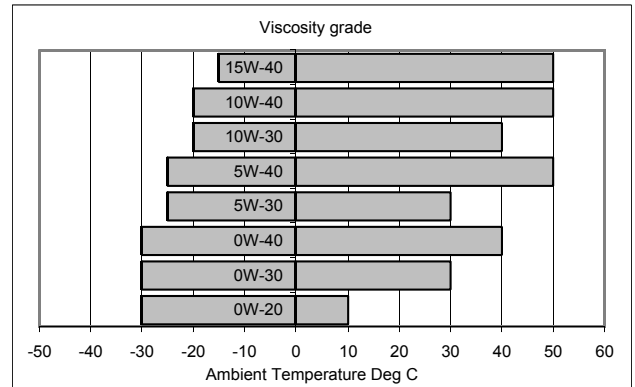
-at rated speed	420 kPa
Nominal (minimum).....	200 kPa
Oil relief valve opens	620 kPa
Oil filter screen spacing	30 µm
Sump drain plug tapping size	M24
Oil pump speed and drive method	1,16 x engine speed, gear
Oil flow:	
-1500 rev/min	2,9 litres/sec
-1800 rev/min	3,4 litres/sec
Oil consumption at full load rated speed	0,1%
Oil temperature (in rail)	
-maximum continuous operation	114 °C

Normal operating angles

-front and rear	7°
-side tilt	7°

Recommended SAE viscosity

A single or multigrade oil must be used which conforms API C14 or ACEA E5.



Mountings

Maximum static bending moment at rear face of block

1356 Nm

Centre of gravity (bare dry engine)

-forward of rear face of cylinder block

570 mm

-above crankshaft centre line

240 mm

Engine management system

Full electronic engine management system controlling:

- speed governing
- air / fuel ratio
- start / stop sequence
- engine protection and diagnostics

Typical load acceptance

2506A-E15TAG3

Engine speed	Initial Load Acceptance When engine reaches rated speed (15 seconds maximum after engine starts to crank)				2nd Load Application Immediately after engine has recovered to rated speed (5 seconds after initial load application)			
	Prime Power %	Load kWm (kWe) Nett	Transient Frequency Deviation %	Frequency recovery time seconds	Prime Power %	Load kWm (kWe) Nett	Transient Frequency Deviation %	Frequency recovery time seconds
1500 rev/min	65	237	≤ 10	5	60	218	≤ 10	5
1800 rev/min	65	266	≤ 10	5	60	245	≤ 10	5

2506A-E15TAG4

Engine speed	Initial Load Acceptance When engine reaches rated speed (15 seconds maximum after engine starts to crank)				2nd Load Application Immediately after engine has recovered to rated speed (5 seconds after initial load application)			
	Prime Power %	Load kWm (kWe) Nett	Transient Frequency Deviation %	Frequency recovery time seconds	Prime Power %	Load kWm (kWe) Nett	Transient Frequency Deviation %	Frequency recovery time seconds
1500 rev/min	65	237	≤ 10	5	60	218	≤ 10	5
1800 rev/min	60	273	≤ 10	5	55	250	≤ 10	5

The above figures were obtained under test conditions as follows:

Engine block temperature 45 °C
 Ambient temperature 15 °C
 Governing mode Isochronous
 Alternator inertia. 8 kgm²
 Under frequency roll off (UFRO) point set to 1 Hz below rated frequency
 UFRO rate set to 2 % voltage / 1% frequency
 LAM on / off off

All tests were conducted using an engine installed and serviced to Perkins Engines Company Limited recommendations.

The applied load is a percentage of generator electrical output, using alternator efficiencies as published in the general installation section of this Technical Data Sheet.

The information given on this Technical Data Sheet is for standard ratings only. For ratings other than those shown, please contact Perkins Engines Company Limited, Stafford.

The information given in this document is for guidance only.

Notes



Perkins Engines Company Limited
Peterborough PE1 5NA United Kingdom
Telephone +44 (0) 1733 583000
Fax +44 (0) 1733 582240
www.perkins.com

All information in the document is substantially correct at the time of printing but may be subsequently altered by the company.

Distributed by